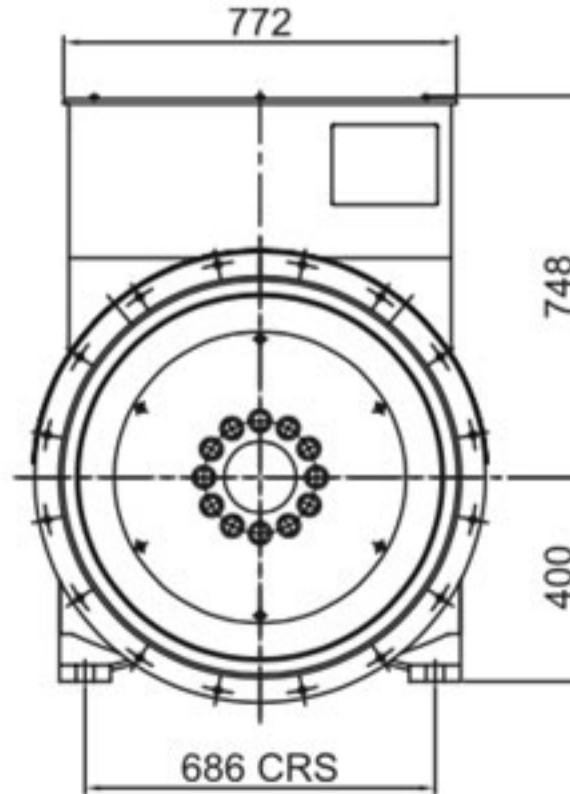
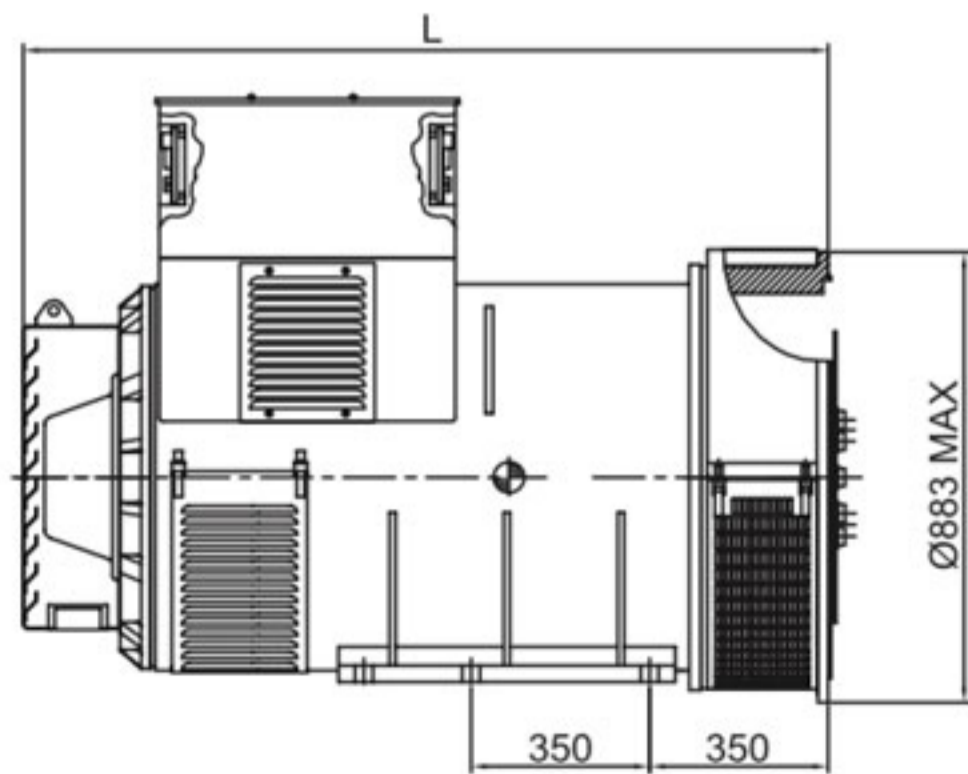


DG6 Series

Excitation system: 300% rated current output for a maximum of 20 seconds.
 Superb motor starting capability
 Outstanding advantages: PMG technology ensures the reliable operation of the excitation system, without losing magnetism

FREQUENCY	WINDING CONNECTION 12 LEAD RECONNECTABLE	3 PHASE BASE CONTINUOUS RATING $\cos \phi$ 0.8 CLASS H INSULATION 125°C/40°C)							3 PHASE STANDBY RATING 163°C/27°C		
		380		400		415		400V EFFICIENCY η	400		
50HZ	SERIES STAR	380		400		415			400V EFFICIENCY η	400	
	PARALLEL STAR	190		200		208				200	
	SERIES DELTA	220		230		240		230			
	TYPE	KVA	KW	KVA	KW	KVA	KW	%	KVA	KW	
	DG6B	710	568	750	600	750	600	93.3	788	630	
	DG6C	760	608	800	640	800	640	93.7	840	672	
	DG6D	865	692	910	728	910	728	93.6	956	764	
	DG6E	950	760	1000	800	1000	800	94.2	1050	840	
DG6F	1090	872	1130	904	1130	904	94.7	1187	949		
DG6G	1190	952	1250	1000	1250	1000	94.9	1313	1050		

60HZ	SERIES STAR	440		460		480		400V EFFICIENCY η	460	
	PARALLEL STAR	220		230		240			200	
	SERIES DELTA	254		265		277			230	
	TYPE	KVA	KW	KVA	KW	KVA	KW	%	KVA	KW
	DG6B	855	684	895	716	938	750	93.1	940	752
	DG6C	916	733	958	766	1000	800	93.5	1006	805
	DG6D	1034	827	1090	872	1138	910	93.4	1145	916
	DG6E	1145	916	1197	958	1250	1000	94.2	1257	1005
DG6F	1274	1019	1332	1066	1390	1112	94.7	1399	1119	
DG6G	1386	1109	1449	1159	1513	1210	94.9	1521	1217	



TYPE	L(mm)
DG6B	1578
DG6C	1578
DG6D	1578
DG6E	1578
DG6F	1578
DG6G	1679

AVR		BEARING		FLANG ADAPTOR				ANTI-CONDENSATION HEATER		DISC COUPLINGS				ECLOSURE		
MX341+PMG	MX321+PMG	SINGLE	DOUBLE	SAE1	SAE1/2	SAE0	SAE00	220V	120V	14	18	21	24	IP21	IP22	IP23
●	□	●	□	□	□	□	□	□	□	□	□	□	□	□	●	□

● STANDARD □ OPTIONAL