



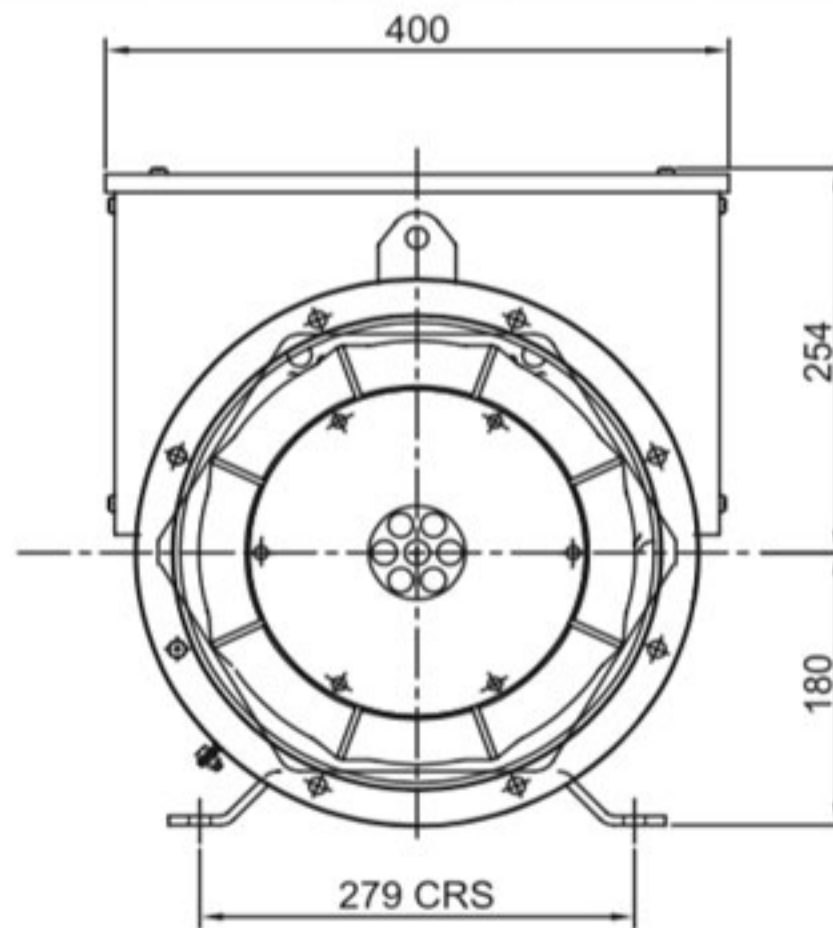
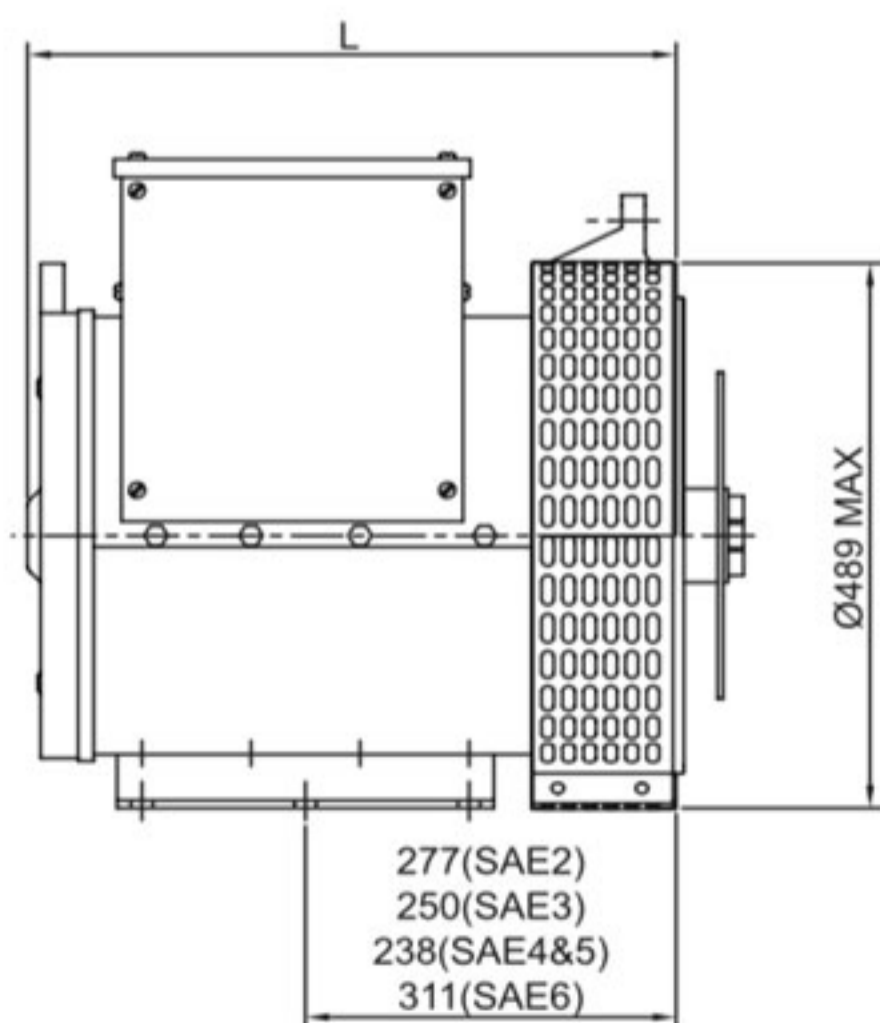
DG184 Series

Excitation system: Permanent magnet self-excited, high-performance automatic pressure regulation system

Outstanding advantages: PMI (permanent magnet embedded) and PMG technology ensure the reliable operation of the excitation system without losing magnetism

FREQUENCY	WINDING CONNECTION 12 LEAD RECONNECTABLE	3 PHASE BASE CONTINUOUS RATING $\cos \phi$ 0.8 CLASS H INSULATION 125°C/40°C)							3 PHASE STANDBY RATING 163°C/27°C		1 PHASE RATING $\cos \phi$ 1.0		
		380		400		415		400V EFFICIENCY η	400		SERIES	220-240	
50HZ	SERIES STAR	190		200		208				200		PARALLEL	110-120
	PARALLEL STAR	220		230		240				230			
	SERIES DELTA												
		TYPE	KVA	KW	KVA	KW	KVA	KW	%	KVA	KW	KVA	KW
		DG184ES	20	16.0	20	16	20	16	84.2	21	16.8	14	11.2
		DG184E	22.5	18.0	22.5	18.0	22.5	18.0	84.9	23.6	18.9	16.6	16.6
		184EL	25	20.0	25	20.0	25	20.0	85	27.0	21.6	18.4	18.4
		DG184F	27.5	22.0	27.5	22.0	27.5	22.0	86.2	30	24	20	20
		DG184G	31.3	25.0	31.3	25.0	31.3	25.0	87	33	26.4	22.8	22.8
	DG184H	37.5	30.0	37.5	30.0	37.5	30.0	86.6	40.0	32.0	27	27	
	DG184J	40	32.0	40	32.0	40	32.0	86.6	45	36	30	30	

60HZ	SERIES STAR	440		460		480		400V EFFICIENCY η	460		SERIES	220-240	
	PARALLEL STAR	220		230		240				200		PARALLEL	110-120
	SERIES DELTA	254		265		277				230			
		TYPE	KVA	KW	KVA	KW	KVA	KW		%	KVA	KW	KVA
		DG184ES	25	20	25	20	25	20	85	26.3	21	18	14.4
		DG184E	28.8	23.0	28.8	23.0	30	24.0	84.3	30.2	24.2	21	21
		DG184F	34.4	27.5	34.4	27.5	35	28.0	85.9	35.6	28.5	25.6	25.6
		DG184G	37.5	30.0	37.5	30.0	37.5	30.0	87	40	32	30.8	30.8
		DG184H	46.9	37.5	46.9	37.5	46.9	37.5	85.3	50	40	35	35
	DG184J	50	40.0	50	40.0	50	40.0	85.8	53.5	42.8	40	40	



TYPE	L(mm)
DG184ES	431.5
DG184E	431.5
DG184F	521.5
DG184G	521.5
DG184H	654.5
DG184J	654.5

AVR		BEARING		FLANG ADAPTOR				ANTI-CONDENSATION HEATER		DISC COUPLINGS					ECLOSURE		
SX460	AS440	SINGLE	DOUBLE	SAE6	SAE5	SAE4	SAE3	220V	120V	6.5	7.5	8	10	11.5	IP21	IP22	IP23
●	□	●	□	□	□	□	□	□	□	□	□	□	□	□	□	●	□

● STANDARD □ OPTIONAL